

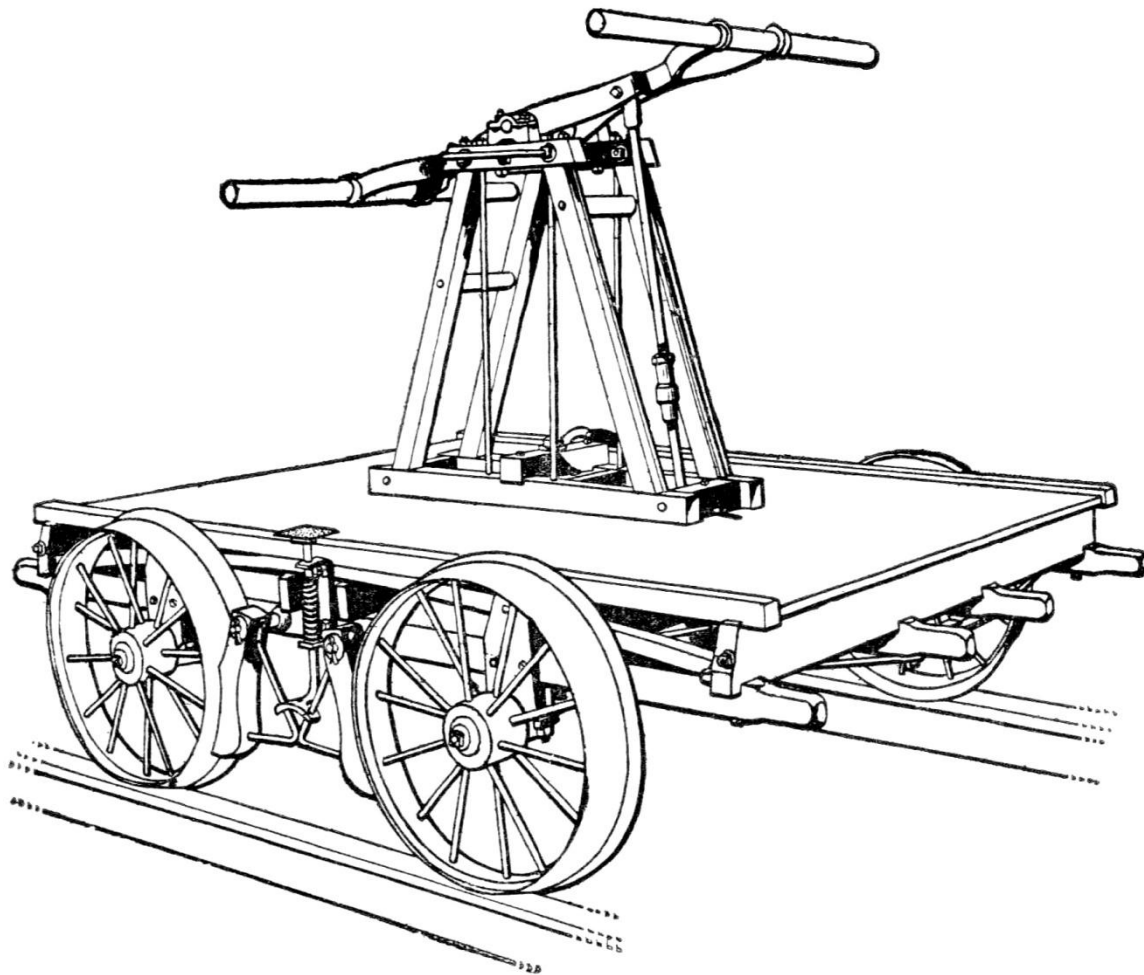
I have been collecting Information on Roberts, please can anyone add to it?

1893 Cyrus Roberts Railway Handcar at the 1893 Chicago International Exhibition.



Fig. 1.

1894 Railway Press Advertisement



No. 1 Car.

Warranted

*EASY RUNNING,
LIGHT IN WEIGHT,
PERFECT WHEEL.*

“CYRUS ROBERTS”

Hand-Car Specialties.

Send for Circular Giving Official Tests.

World's Fair award, and favorably noticed
by leading Mechanical Journal of the Old
World.—[“Engineering” of London.]

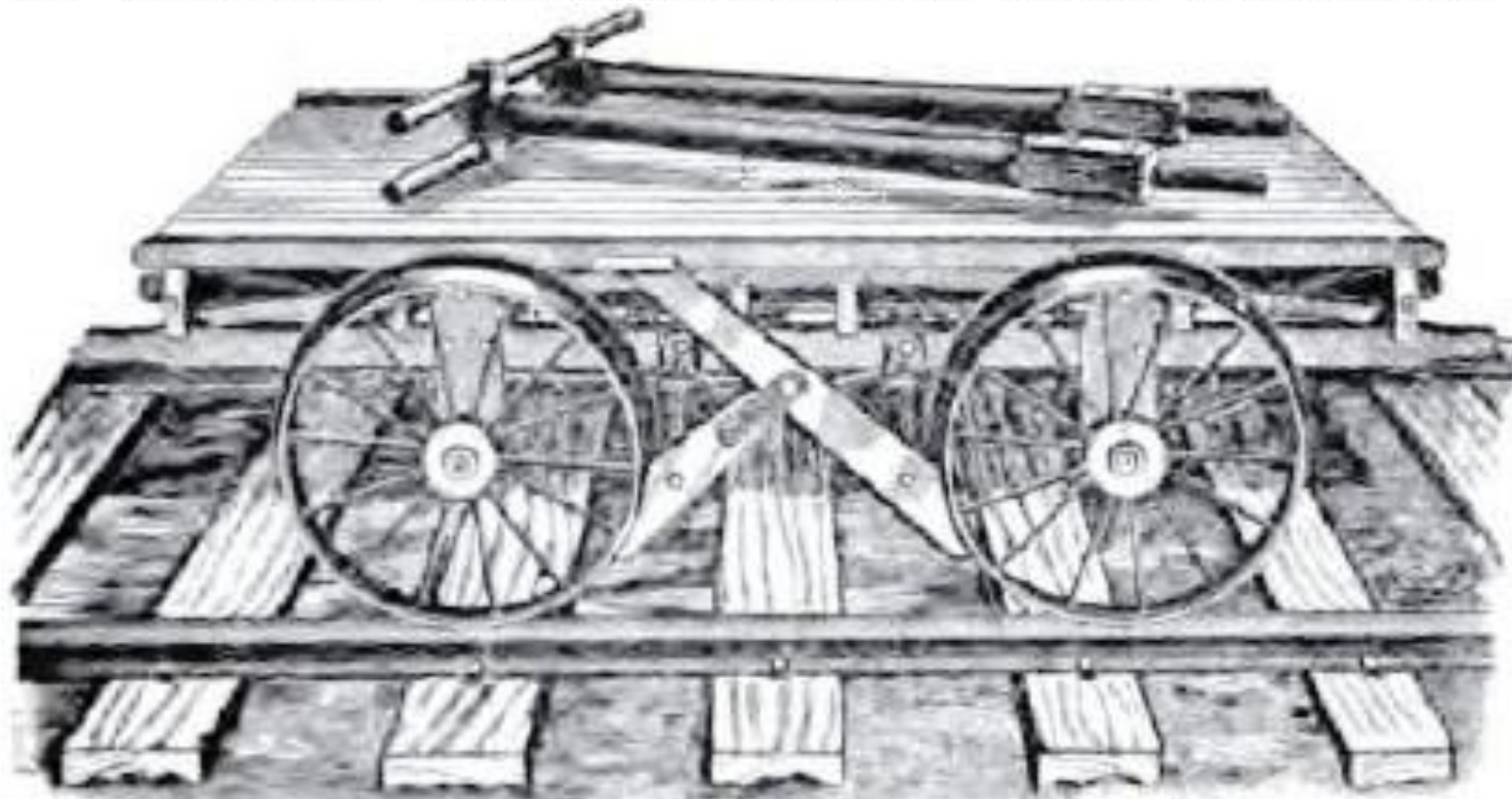
Roberts, Throp & Co.,

THREE RIVERS, MICH.

Could any reader who is a wizard at searches find and scan the article in “Engineering” for the Newsletter ?

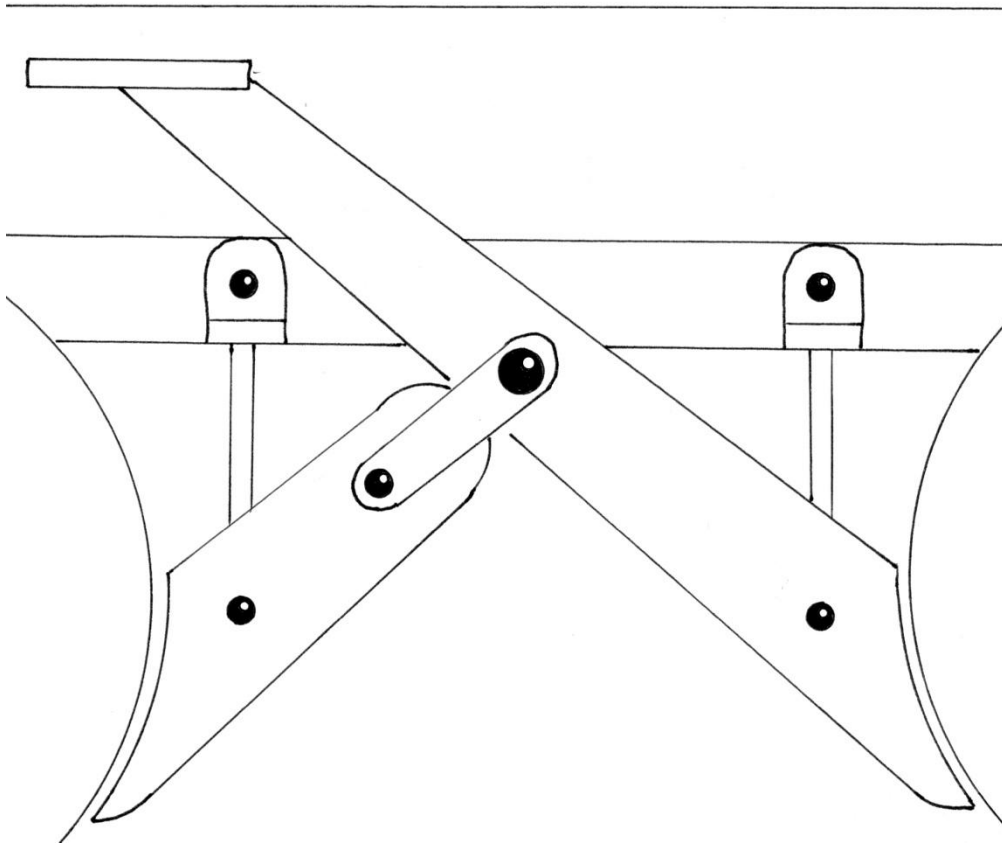
1895 Railroad Catalogue Illustrations for

THE "CYRUS ROBERTS" TRUSS-FRAME COMBINATION CARB. ROBERTS, THROP & COMPANY.

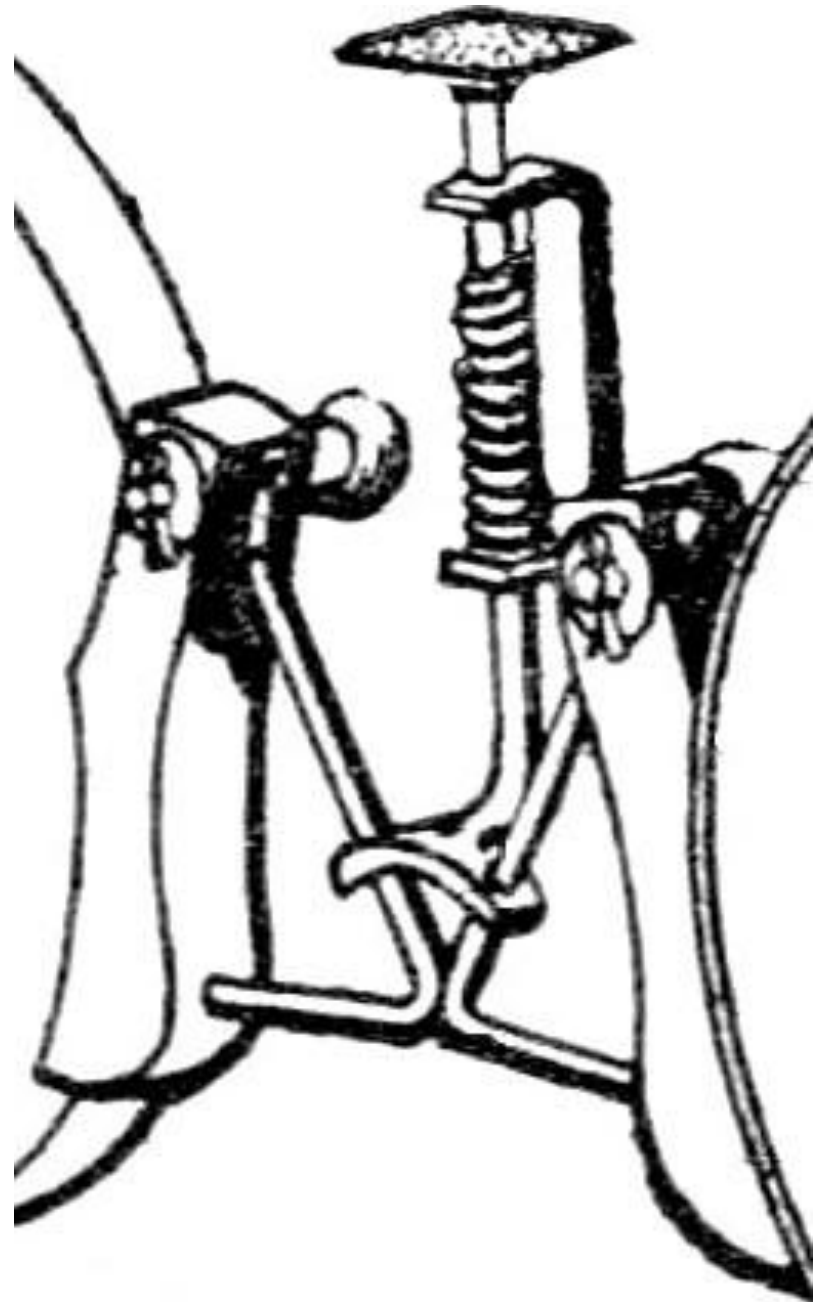


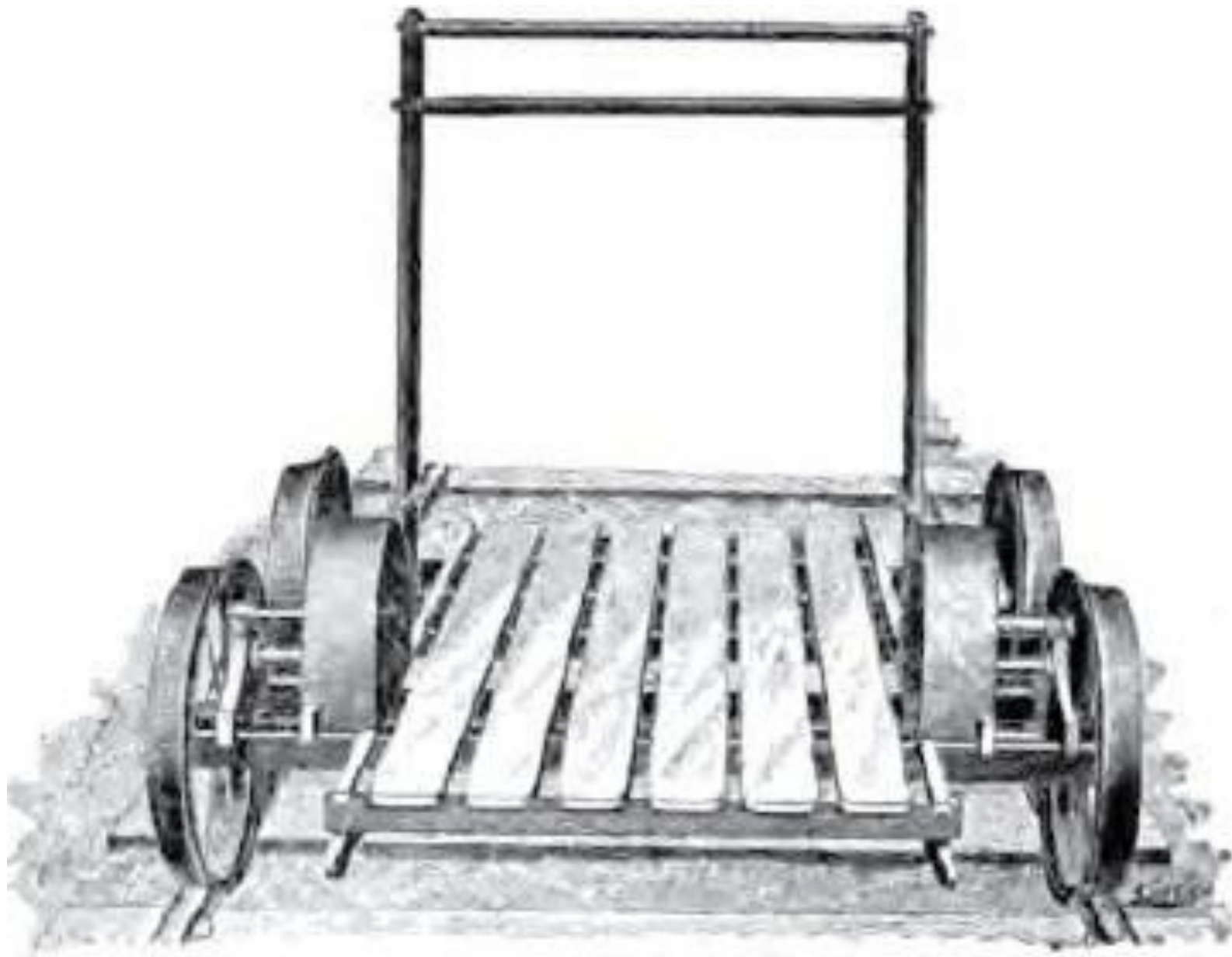
Propelling levers detached.
Platform, 6 ft. \times 4½ ft. Weight, 500 lbs.

Brake from the **Combination Car,**
with detachable levers (no gallows),
was designed with the foot pedal just below the deck.



The Brake from the **Removable Gallows Machine** was slightly
above deck level





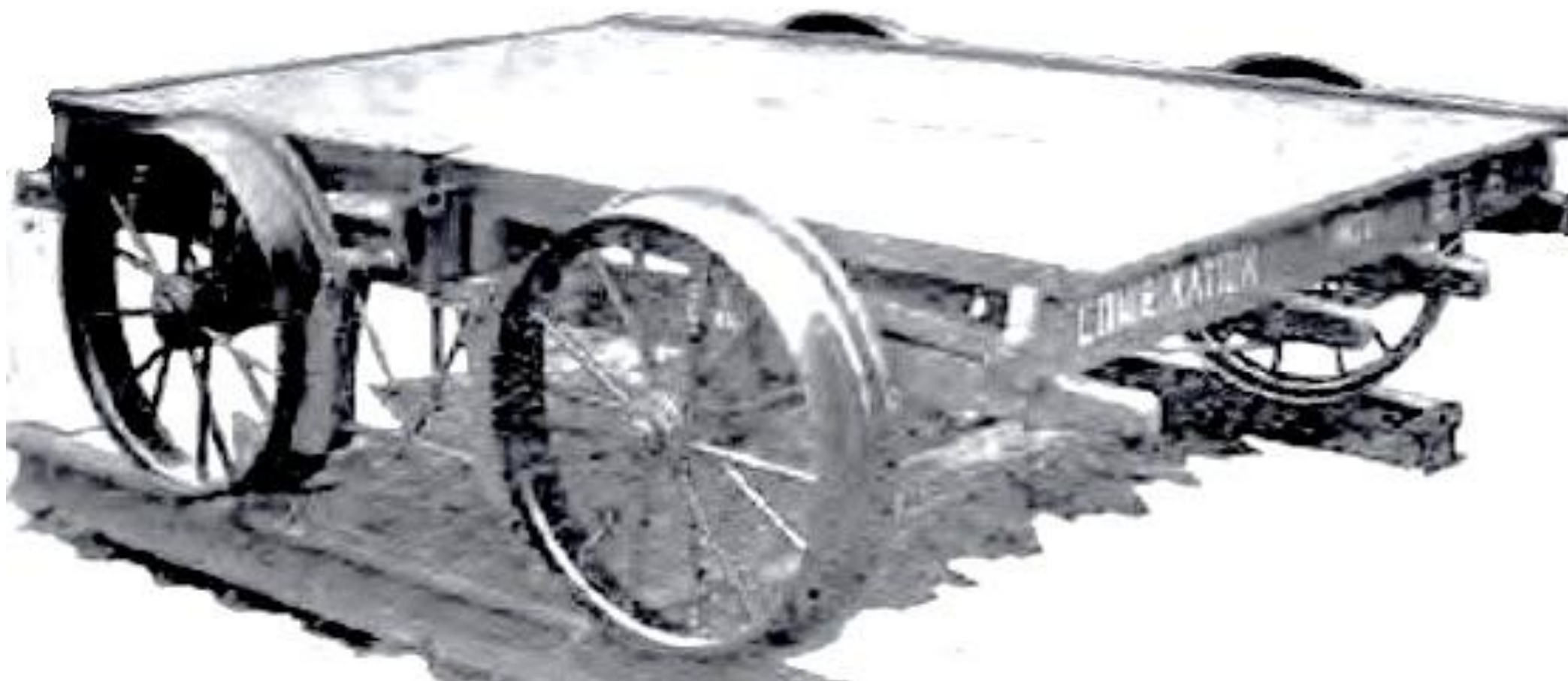
A light quick-service car.
Platform, 6 ft. × 3 ft. Weight, 165 lbs.

Another detachable Propelling Levers Car, I have no idea how the brakes operated on this machine, it looks a one off.

COMBINATION WALKING-BEAM HAND AND PUSH-CAR.

The Walking-beam Frame may be detached as shown. Turn-buckle Pitman Connection.

ROBERTS, THROP & COMPANY.

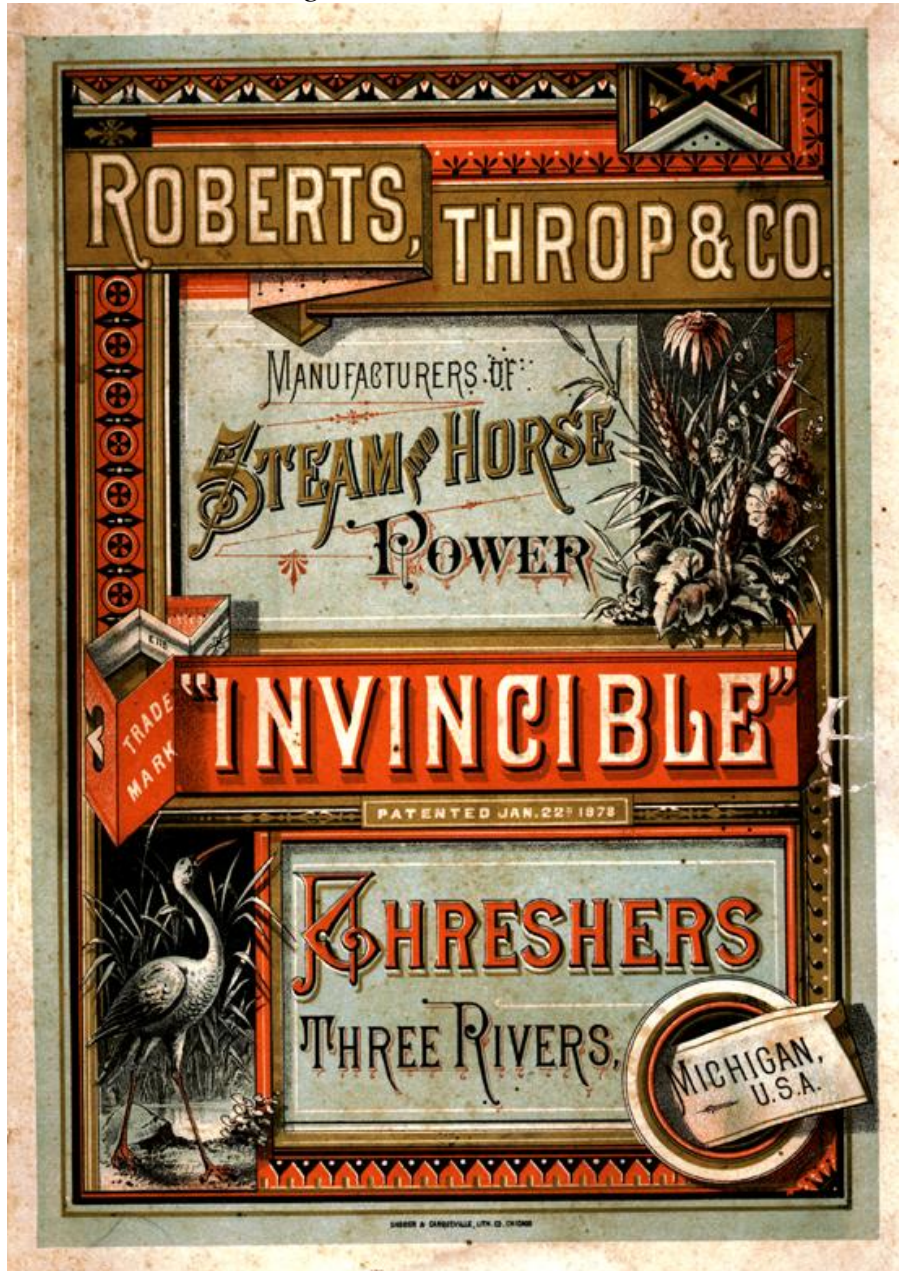


The wheel flanges and brake pedal are slightly above deck level, (overhanging large loads would need spacers to clear).



*The diagonal gallows tie rods run down the outside of the frame members to the rectangular bottom frame sitting on the deck.
This is all very clever but I just do not see the point of it all.*

Roberts, Throp & Co. were primarily Agricultural Engineers and the farm machinery of the 1890's may well have influenced their Railroad Hand Car designs



Roberts, Throp & Co's most famous product was the "Invincible" Thresher.

THE ALL IMPORTANT QUESTION!

WILL YOU BE WISE--OR OTHERWISE?

THE QUESTION EASILY ANSWERED!

WISE! OTHERWISE!

I OWN AND RUN A THREE RIVERS INVINCIBLE! I'VE OWNED AND RUN EVERYTHING ELSE!

The Wise Man Avoids all Shrinkages or Imitations!
AND BUYS THE BEST!
THE ONLY ORIGINAL AND GENUINE THREE RIVERS INVINCIBLE!

A vintage advertisement for the 'Invincible' Thresher. It features two caricatures: a smiling man on the left and a grumpy man on the right. The text includes 'THE ALL IMPORTANT QUESTION!', 'WILL YOU BE WISE--OR OTHERWISE?', 'THE QUESTION EASILY ANSWERED!', 'WISE!', 'OTHERWISE!', 'I OWN AND RUN A THREE RIVERS INVINCIBLE!', 'I'VE OWNED AND RUN EVERYTHING ELSE!', 'The Wise Man Avoids all Shrinkages or Imitations!', 'AND BUYS THE BEST!', and 'THE ONLY ORIGINAL AND GENUINE THREE RIVERS INVINCIBLE!'.